

spinder
DAIRY HOUSING CONCEPTS



Renovation creates comfort for cow and farmer

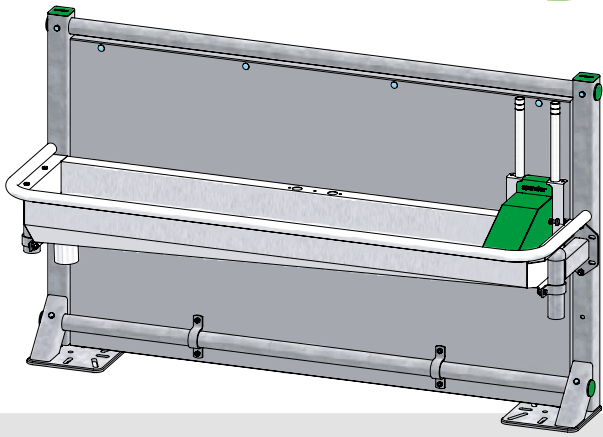
A new barn is not the only solution for increasing the life production of your dairy cows. A well-thought-out renovation increases cow comfort, and also has a positive impact on your daily work.

Questions about renovating your barn? We would be happy to give you advice.

The benefits of comfort | spinderdhc.com

**“Tax paying
versus investing?
Renovating!”**

What will you renovate with?



Pingo Renovation drinking trough

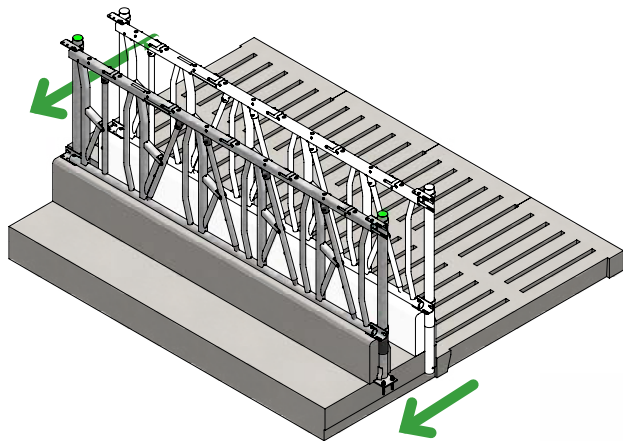
“We are extremely satisfied! The Pingo Reno trough is a great solution for existing barns and is easy to install.”

Cheesefarm de Deelen, Tijnje (NL)

Fitbox, the flexible freestall divider

“Through the years my cows have gained weight, so the cubicles became too narrow. The 3 centimeters slimmer Fitbox makes my cubicles much more spacious!”

Erik van der Velde, Niehove (NL)



Increase in walking and eating space / New feed fence

“Our feed fences were worn out and the slatted floor space between cubicles and feed fence was only 3 meters wide. The extra space allows our cows to pass each other, walk out of the milking parlor more easily and there is more peace and quiet in the barn.”

Sinnige Dairy, Hurdegaryp (NL)

Looking for more information for the optimal renovation of your barn?
Download the Spinder renovation E-book with useful tips and examples



spinderdhc.com/renovation



spinder

DAIRY HOUSING CONCEPTS

Zeppelinlaan 3
9207 JG Drachten
The Netherlands

+31 (0)512 - 23 78 00
sales@spinder.nl
www.spinderdhc.com