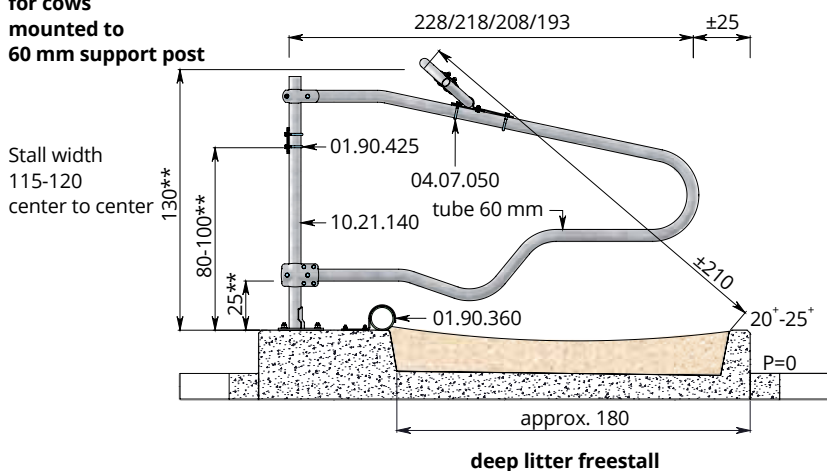
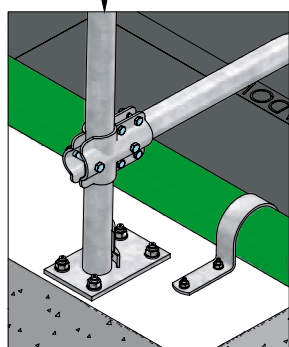


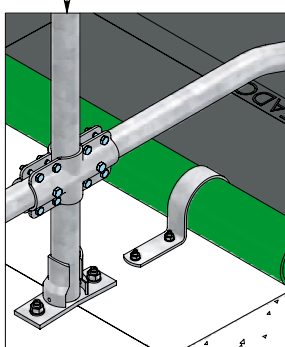
**01.13....
Model 'Comfort-NG'
for cows
mounted to
60 mm support post**



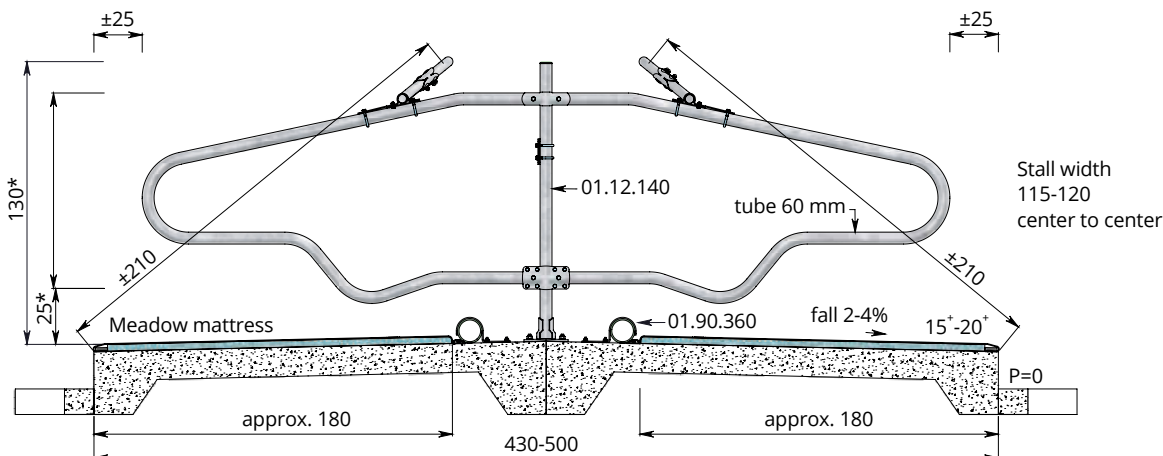
10.21.140, single row



01.12.140, double row



**01.13....
Model 'Comfort-NG'
for cows
Double row
mounted to
60 mm support post**



Freestall divider model Comfort-NG

This freestall divider looks a lot like the model Profit. The Spinder curl, the shape of the lower bar, is almost similar. The characteristics of the divider are thus also very similar. Sturdy and robust, positioning the animals in a straight line in the cubicle. At the front the Comfort is more open, leading to even more space to lie down or stand up.

The Comfort cubicle can be mounted on support posts (one post per cubicle) or on horizontal tubing (1 per 2 cubicles). The system Comfort is thus very flexible. When mounted on support posts one can mount 2 cubicles on 1 central post.

- Optimal resting comfort due to careful design;
- Extra space at the front;
- Durability, due to suspended construction;
- Flexible to install;
- All the right dimensions are available;
- Allows for all types of matting materials.

Freestall divider for cows, model 'Comfort-NG', mounted to support post 60 mm (T-clamps or four-way clamps are included)

- 01.13.560** Model 'Comfort-NG' 218 - stall floor ≥ 250 cm
- 01.13.550** Model 'Comfort-NG' 208 - stall floor 240 cm
- 01.13.530** Model 'Comfort-NG' 193 - stall floor 220 cm
- 01.13.575** Model 'Comfort-NG' 228/228 - stall floor 500 cm
- 01.13.565** Model 'Comfort-NG' 218/218 - stall floor 480 cm
- 01.13.555** Model 'Comfort-NG' 208/208 - stall floor 460 cm
- 01.13.545** Model 'Comfort-NG' 193/208 - stall floor 445 cm
- 01.13.535** Model 'Comfort-NG' 193/193 - stall floor 430 cm

Fittings

- 04.07.050** Shoulder rail strap clamp 48 x 60 mm
- 10.21.140** Floor-mounted support post 60 mm x 140 cm (item no. for single row)
- 01.12.140** Floor-mounted support post 60 mm x 140 cm (item no. for double row)
- 10.20.160** Support post 60 mm x 160 cm
- 11.02.200** Plastic protective sleeve 60 mm
- 11.06.200** Stopper 60 mm
- 11.11.250** Floor anchor M16 x 120 mm (use 4 when installing a single row) (use 2 when installing a double row)
- 11.12.016** Chemical anchor M16 (10 anchors)
- 10.15.600** Tube 48 mm, length 6 mm
- 04.21.015** Tube clamp coupling 48 mm
- 04.24.215** Extended end coupling
- 01.90.360** Mounting clip for knee rail PE125
- 11.11.210** Floor anchor M10 x 71 (2 per mounting clip)
- 01.90.425** Belt clamp for 60 mm tubing (bolts and nuts are included)
- 01.90.400** Retainer belt 50 mm, 100 m roll
- 01.90.405** Retainer belt 50 mm, 50 m roll



Freestall divider model 'Comfort-NG', mounted to horizontal tubing

Important advantages:

- Shoulder rail height 120 cm, therefore plenty of room for getting up and laying down;
- Freedom when resting due to the special design;
- Durability, due to the suspended construction;
- Adjustable in height and width;
- Stall is easy to clean;
- Meadow mattress or waterbeds can be placed without any problem;

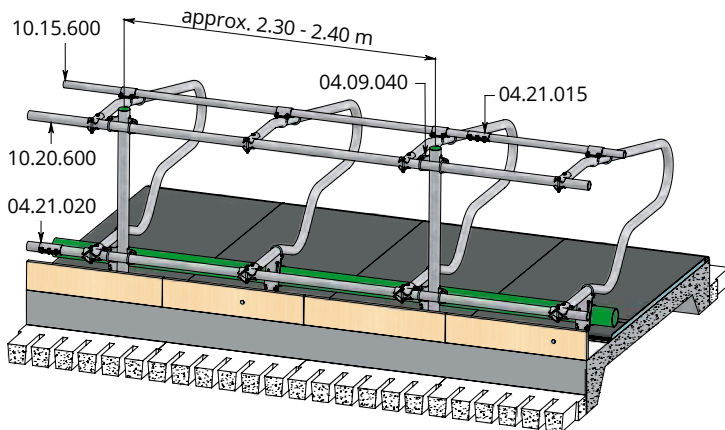
Freestall divider for cows, model 'Comfort-NG', mounted to horizontal tubing (T-clamps or four-way clamps are included)

- | | |
|------------------|--|
| 01.13.560 | Model 'Comfort-NG' 218 - stall floor \geq 250 cm |
| 01.13.550 | Model 'Comfort-NG' 208 - stall floor 240 cm |
| 01.13.530 | Model 'Comfort-NG' 193 - stall floor 220 cm |
| 01.13.575 | Model 'Comfort-NG' 228/228 - stall floor 500 cm |
| 01.13.565 | Model 'Comfort-NG' 218/218 - stall floor 480 cm |
| 01.13.555 | Model 'Comfort-NG' 208/208 - stall floor 460 cm |
| 01.13.545 | Model 'Comfort-NG' 193/208 - stall floor 445 cm |
| 01.13.535 | Model 'Comfort-NG' 193/193 - stall floor 430 cm |

Fittings

- | | |
|------------------|---|
| 04.07.050 | Shoulder rail strap clamp 48 x 60 mm |
| 10.25.160 | Support post 76 mm x 160 cm |
| 11.02.250 | Plastic protective sleeve 76 mm |
| 11.06.250 | Stopper 76 mm |
| 10.26.130 | Floor-mounted support post 76 mm x 130 cm |
| 11.11.250 | Floor anchor M16 x 120 mm |
| 11.12.016 | Chemical anchor M16 (10 anchors) an alternative to floor anchor |
| 04.09.040 | Strap clamp 76 x 60 mm |
| 10.15.600 | Tube 48 mm, length 6 m |
| 04.21.015 | Tube clamp coupling 48 mm |
| 10.20.600 | Tube 60 mm, length 6 m |
| 04.21.020 | Tube clamp coupling 60 mm |
| 04.24.215 | Extended end coupling |
| 04.24.020 | End coupling 60 mm |
| 01.90.360 | Mounting clip for knee rail PE125 |
| 11.11.210 | Floor anchor M10 x 71 (2 per mounting clip) |

* - measured from the top of the cow mattress

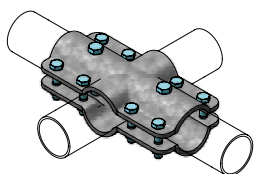


Mounted to horizontal tubing: stall adjustable in height and width.

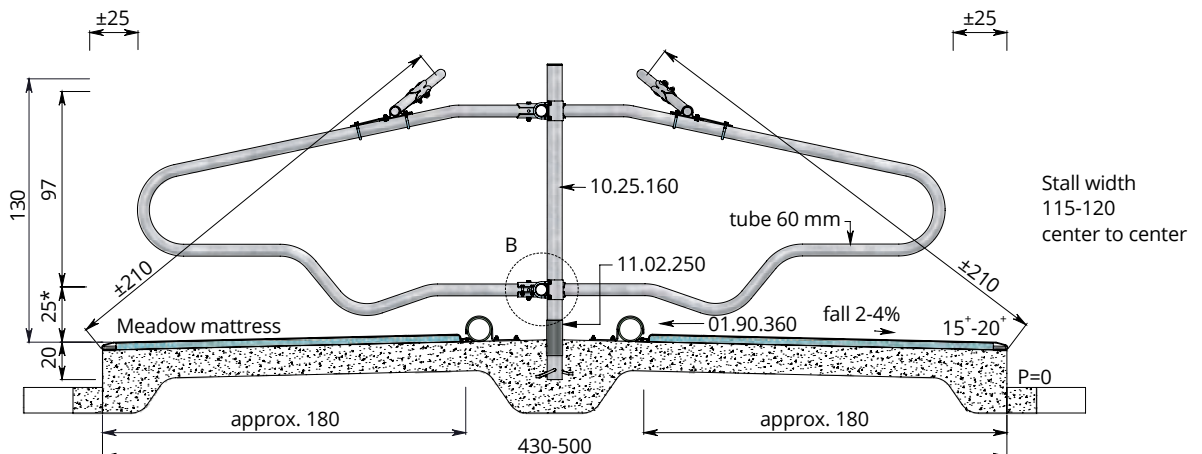
Waved neck bar

With the waved neck bar the shoulder height or diagonal boxside - neck rail can be raised up till 30 cm.

01.13....
Model 'Comfort-NG'
 for cows
 Double row
 mounted to
 horizontal tubing

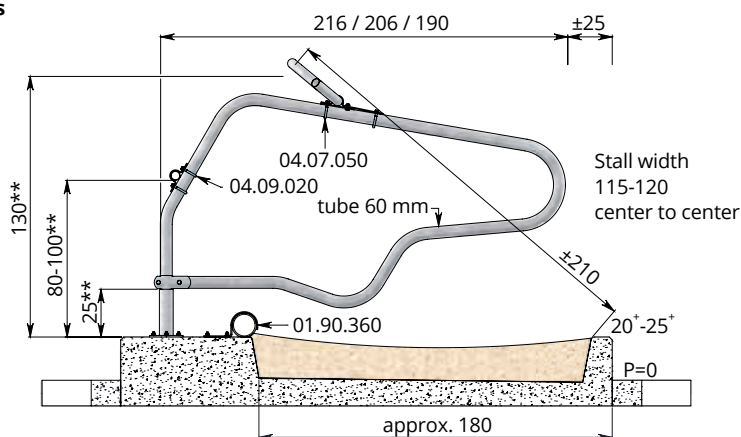


Detail B

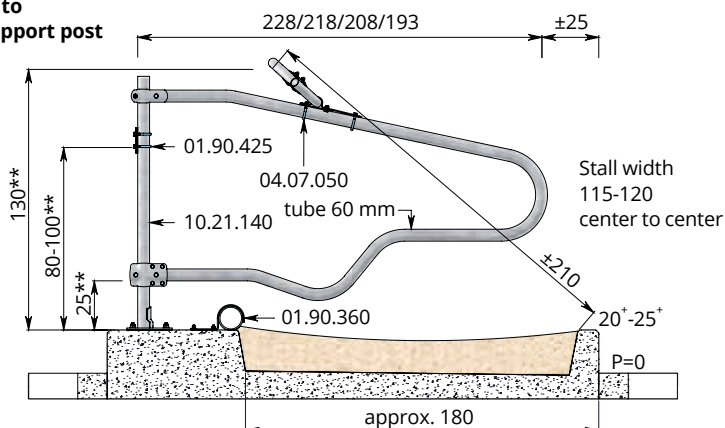




01.10.513 / 01.10.510 / 01.10.500
Model 'Profit' 216 / 206 / 190
for cows



01.13....
Model 'Comfort-NG'
for cows
mounted to
60 mm support post



Special model for deep bedding freestalls

Cow comfort is a hot topic in modern dairy farming. As well as units with cow mattresses and waterbeds, many stalls are fitted with deep-bedded floors. The type of stuffing depends on the availability of materials or the dairy farmer's preference. For optimal deep bedding, a 15-20 cm matting is recommended. The realisation of this thickness requires a rounded 20-25 cm high rear edge in relation to the dung floor. Boundaries of similar height are required for the cubicle; the knee bar is mounted above the edge.

Waved neck bar

With the waved neck bar the shoulder height or diagonal boxside - neck rail can be raised up till 30 cm.

'Profit' for deep litter freestalls

Freestall divider model 'Profit' for cows and heifers (mounting support piece and T-clamp included)

- 01.10.513 Freestall divider model 'Profit' 216 for cows
- 01.10.510 Freestall divider model 'Profit' 206 for cows
- 01.10.500 Freestall divider model 'Profit' 190 for cows
- 01.10.520 Freestall divider model 'Profit' 175 for heifers

Fittings

- 04.07.050 Shoulder rail strap clamp 48 x 60 mm
- 04.09.020 Strap clamp 48 x 60 mm
- 11.11.240 Floor anchor M12 x 106 (3 per divider)
- 11.12.012 Chemical anchor M12 (10 anchors), an alternative to floor anchor
- 10.15.600 Tube 48 mm, length 6 m
- 04.21.015 Tube clamp coupling 48 mm
- 04.24.015 End coupling 48 mm
- 11.11.210 Floor anchor M10 x 71 (2 per end coupling)
- 04.24.215 Extended end coupling
- 01.90.360 Mounting clip for knee rail PE125
- 11.11.210 Floor anchor M10 x 71 (2 per mounting clip)

'Comfort' for deep litter freestalls

Freestall divider for cows, model 'Comfort-NG', mounted to support post 60 mm (T-clamps or four-way clamps are included)

- 01.13.560 Model 'Comfort-NG' 218 - stall floor \geq 250 cm
- 01.13.550 Model 'Comfort-NG' 208 - stall floor 240 cm
- 01.13.530 Model 'Comfort-NG' 193 - stall floor 220 cm
- 01.13.575 Model 'Comfort-NG' 228/228 - stall floor 500 cm
- 01.13.565 Model 'Comfort-NG' 218/218 - stall floor 480 cm
- 01.13.555 Model 'Comfort-NG' 208/208 - stall floor 460 cm
- 01.13.545 Model 'Comfort-NG' 193/208 - stall floor 445 cm
- 01.13.535 Model 'Comfort-NG' 193/193 - stall floor 430 cm

Fittings

- 04.07.050 Shoulder rail strap clamp 48 x 60 mm
- 10.21.140 Floor-mounted support post 60 mm x 140 cm (item no. for single row)
- 01.12.140 Floor-mounted support post 60 mm x 140 cm (item no. for double row)
- 10.20.160 Support post 60 mm x 160 cm
- 11.02.200 Plastic protective sleeve 60 mm
- 11.06.200 Stopper 60 mm
- 11.11.250 Floor anchor M16 x 120 mm (use 4 when installing a single row) (use 2 when installing a double row)
- 11.12.016 Chemical anchor M16 (10 anchors)
- 01.90.360 Mounting clip for knee rail PE125
- 11.11.210 Floor anchor M10 x 71 (2 per mounting clip)
- 01.90.425 Belt clamp for 60 mm tubing (bolts and nuts are included)
- 01.90.400 Retainer belt 50 mm, 100 m roll
- 01.90.405 Retainer belt 50 mm, 50 m roll

** - measured from the top of the litter bed