



**Combi-scraper for slotted floors**

The floor elements are fitted with slots running parallel to the feeding passage. The slots in the floor elements separate urine from manure, resulting in lower emission compared to traditional slatted floors.

Cleaning the slots is by way of the so-called tines on the scraper blade, with polyurethane synthetic material. The standard widths of the scrapers are between 200 and 400 cm. Alternative dimensions and construction of the combi-scraper are available upon request.

Important features:

- Heavy, welded scraper blades ensure a clean scraper result;
- Wear-resistant slides under the scraper made of manganese steel;
- Hinged side blades clean the stall edges and/or sides;
- Valves below the scraper open in a return movement;
- Valves easily disassembled for possible maintenance;
- Scraper drive with Spinder PE rope;
- Alternative dimension / construction is available upon request.

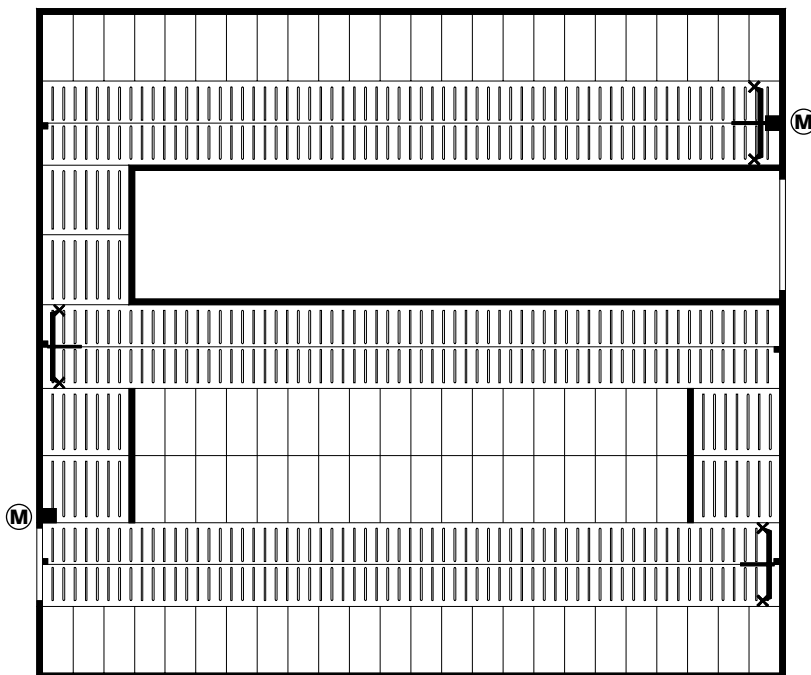


<b>65.50.200</b>	Combi-scraper slotted floors 200 cm
<b>65.50.220</b>	Combi-scraper slotted floors 220 cm
<b>65.50.250</b>	Combi-scraper slotted floors 250 cm
<b>65.50.275</b>	Combi-scraper slotted floors 275 cm
<b>65.50.300</b>	Combi-scraper slotted floors 300 cm
<b>65.50.325</b>	Combi-scraper slotted floors 325 cm
<b>65.50.350</b>	Combi-scraper slotted floors 350 cm
<b>65.50.375</b>	Combi-scraper slotted floors 375 cm
<b>65.50.400</b>	Combi-scraper slotted floors 400 cm





• Drive unit on console



• Rope scraper for grid floors with Spinder PE-rope in a situation with 3 alleys



• Rope driven

**Scraper with Spinder PE rope drive**

In order to be able to work quickly and efficiently and to promote the welfare of your cows, it is important that passages and cubicles in the barn are clean and dry. For that reason, the proper and rapid removal of manure will be necessary. Moisture and manure on floors may cause sliding and falling and constitute excellent breeding places for pathogenic bacteria. These are often the cause of serious leg and hoof problems. Besides, the manure stuck on the legs of the cows make for dirty stalls and, as a consequence, for dirty udders.

To prevent these problems, Spinder offers a manure-scraper unit consisting of two drive units with drive drum, a number of plastic corner wheels and one or more scrapers that are driven by Spinder PE rope. A very animal-friendly and maintenance-free installation with which the floors can be kept clean and dry.

**Important features:**

- The system consists of two drive drums, which can be placed both on a console and on the floor;
- The unit is constructed in a heavy and robust manner. Virtually all parts have been hot-dip galvanized;
- The synthetic corner pulleys are maintenance-free;
- Spinder PE rope is an 8 or 10 mm thick synthetic rope with a tensile strength of 6000 and 9000 kg respectively, and a negligible stretch (ca. 3 a 4 %) to ensure a smooth, quiet run of the scraper. The rope has a long service life and is above all very animal-friendly;
- Standard fitted with digital timer, frost protection and emergency stop;
- A suitable solution for every barn, even with unequal passage lengths;
- Most suitable for an odd number of dung passages.

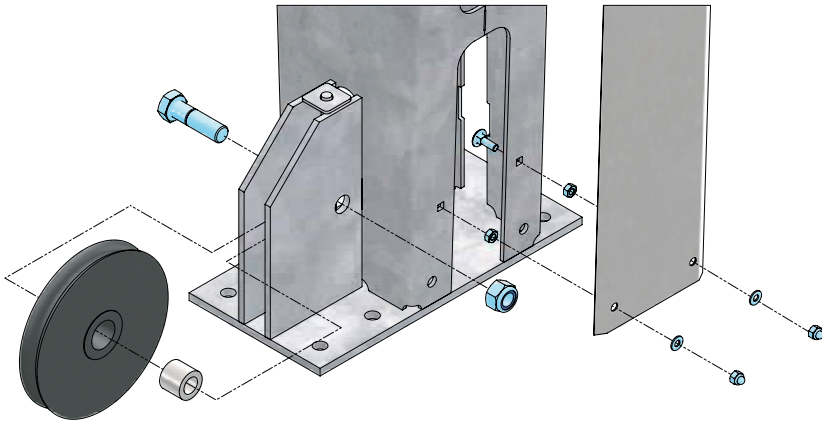
**Important advantages:**

- Cleaner passages and cleaner livestock;
- Less hoof problems and cleaner stalls;
- Using less sawdust or straw;
- Milking more hygienically and faster with cleaner cows;
- Therefore, a better milk quality.

**Dung scrapers**

As well as driving a slatted floor scraper, the Spinder PE rope drive can also be used for driving the combi-scrapers.

<b>65.12.455</b>	Drive unit PE-rope on console, 0,55 kW
<b>65.12.465</b>	Drive unit PE-rope on console, 0,75 kW
<b>65.12.450</b>	Drive unit PE-rope for concrete floor, 0,55 kW
<b>65.12.460</b>	Drive unit PE-rope for concrete floor, 0,75 kW
<b>65.12.130</b>	Mounting set drive unit for grid floor
<b>65.12.140</b>	Mounting set drive unit for concrete floor
<b>65.12.185</b>	Corner wheel/PE-rope/for grid floor
<b>65.12.180</b>	Corner wheel/PE-rope/for concrete floor
<b>65.12.175</b>	Scraper stop for grid floor
<b>65.12.170</b>	Scraper stop for concrete floor
<b>65.84.125</b>	Spinder PE-rope 10 mm, per meter



- Emergency stop strip, mounted on walkway

**Maintenance**

Manure removing equipment works every day, 7 days a week, 365 days a year.

The Spinder manure removing equipment is maintenance-free and has no grease nipples. The equipment is subject to wear and tear though. Some parts (bearing bushes, corner pulleys, ropes, strips) will need replacing at some point in time.

Sand as cubicle bedding has an abrasive effect; this has a negative influence on the service life of the installation.

Experience has shown that replacement of bearing bushes is sometimes delayed for too long, which may cause unnecessary faults. A service contract may prevent this from happening. Ask your dealer.

**Safety**

It often happens that manure is pushed below an obstacle. This may increase the risk of jamming. The manure scraper control measures the tractive force; the manure scraper turns off after exceeding the set limit.

It would still be advisable to install safety strips at obstacles. A safety strip turns the manure scraper off at the slightest touch.

**Safety strips at wall passages or walkways.**

- 61.06.030** Emergency stop strip, 201 - 300 cm wide
- 61.06.031** Emergency stop strip, 301 - 400 cm wide
- 61.06.032** Emergency stop strip, 401 - 500 cm wide
- 61.06.035** Switch box for emergency strip (one for each manure removing system when placing one or more safety strips).