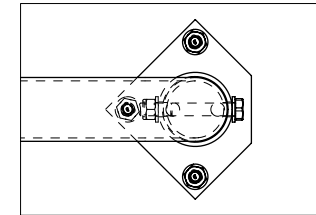
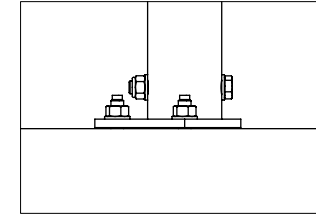
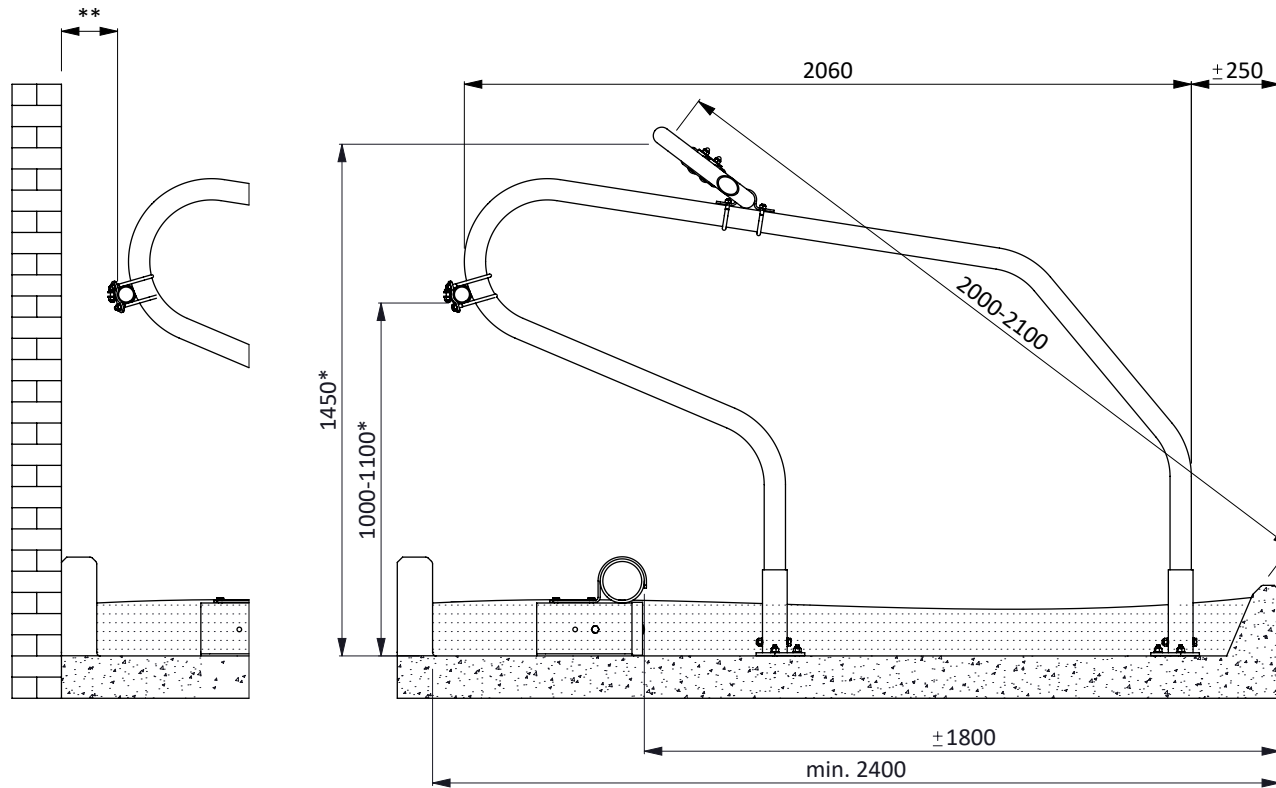


Order-nr.	Description	Number
0121492	foot for Delta-DS divider	2
0121501	freest. divider Delta-DS 206, frame only	1
7412090	hexagon-head bolt M12x90 stainless st	2
8212805	selflocking nylon nut M12 stainlesssteel	2
8312111	washer M12 (13x24x2,5) stainless steel	4

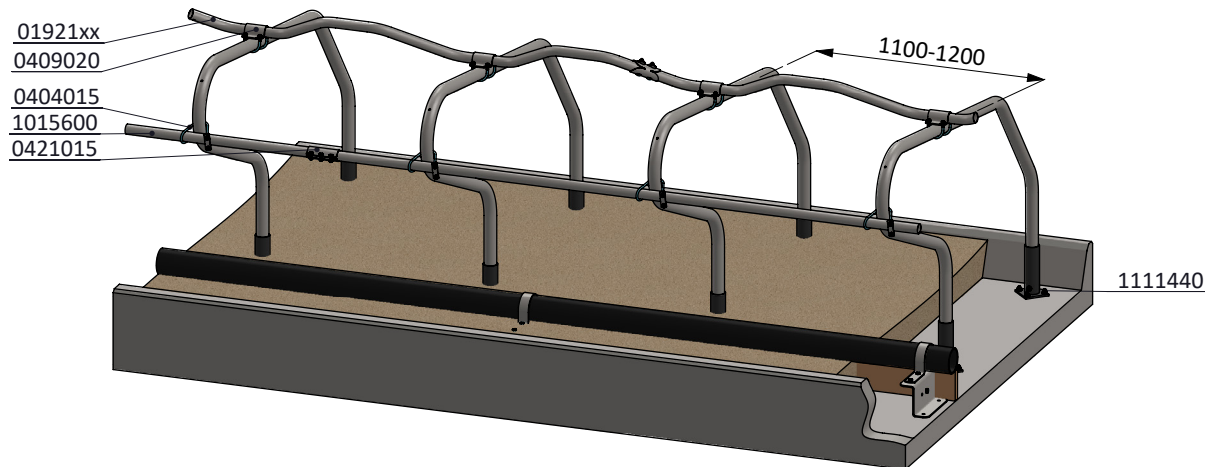
freestall divider Delta-DS 206



Number:	0121500-O
Unit:	mm
Date:	22-9-2015



* Dimensions based on a litter bed of ca. 150mm
 ** In case of measurements between 200 and 450 mm, the space needs to be filled to avoid cows from being trapped

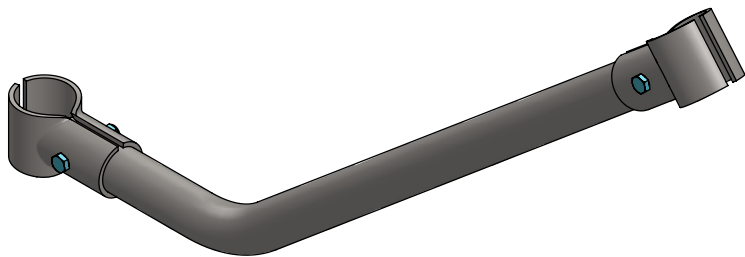
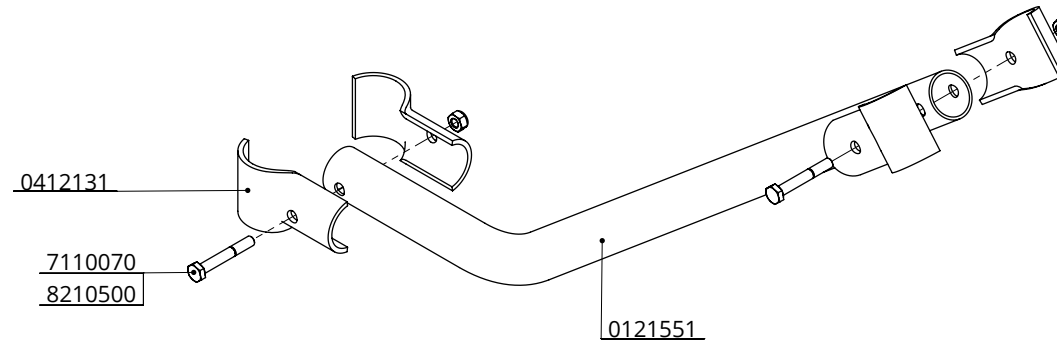


item no.	description
01921xx	waved neck bar, complete - 2x...cm
0404015	wire clamp 48x60mm
0409020	strap clamp 48x60mm
0421015	tube clamp coupling 48mm
1015600	tube 48mm, length 6m, galvanized
1111440	floor anchor, inox A4 - M12x106
8210100	hexagon nut M10 galv.

freestall divider Delta-DS 206



Number:	0121500-A
Unit:	mm
Date:	10-1-2018



Order-nr.	Description	Number
0121551	spacing tube for Delta-DS 206	1
0412131	plate for T-clamp 48x60mm	4
7110070	hexagon-head bolt M10x70 galv.	2
8210500	self locking nylon nut m10 galv.	2

interm. tube for Delta-DS 206, heifers

spinder
DAIRY HOUSING CONCEPTS

Number: 0121550-O

Unit: mm

Date: 1-9-2015