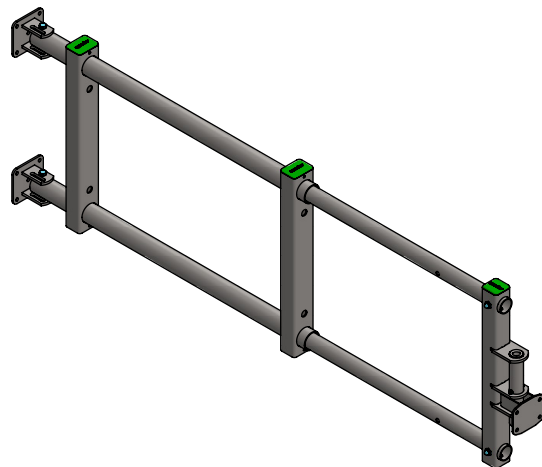
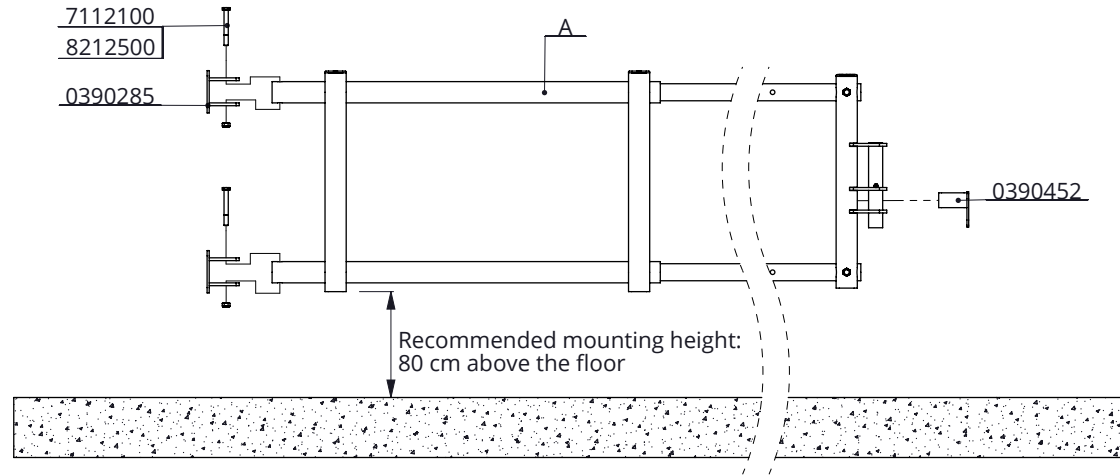


Item-nr.	Description	A
0326210	Slider 2T partition Barrier 95-135cm	0326212
0326220	Slider 2T partition Barrier 135-200cm	0326222



Item-nr.	Description	Number
0390285	fastener 60mm/76mm/wall	2
0390452	universal locking point wall/76mm	1
7112100	hexagon-head bolt M12x100 galv.	2
8212500	self locking nylon nut M12 galv.	2
A	extendable part.barrier 135-200cm - 2T	1

Slider 2T partition barrier

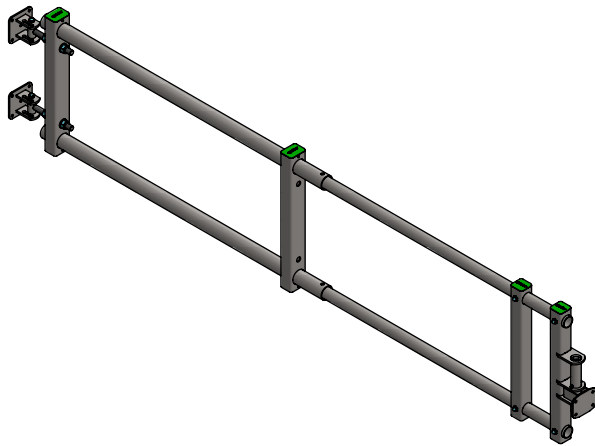
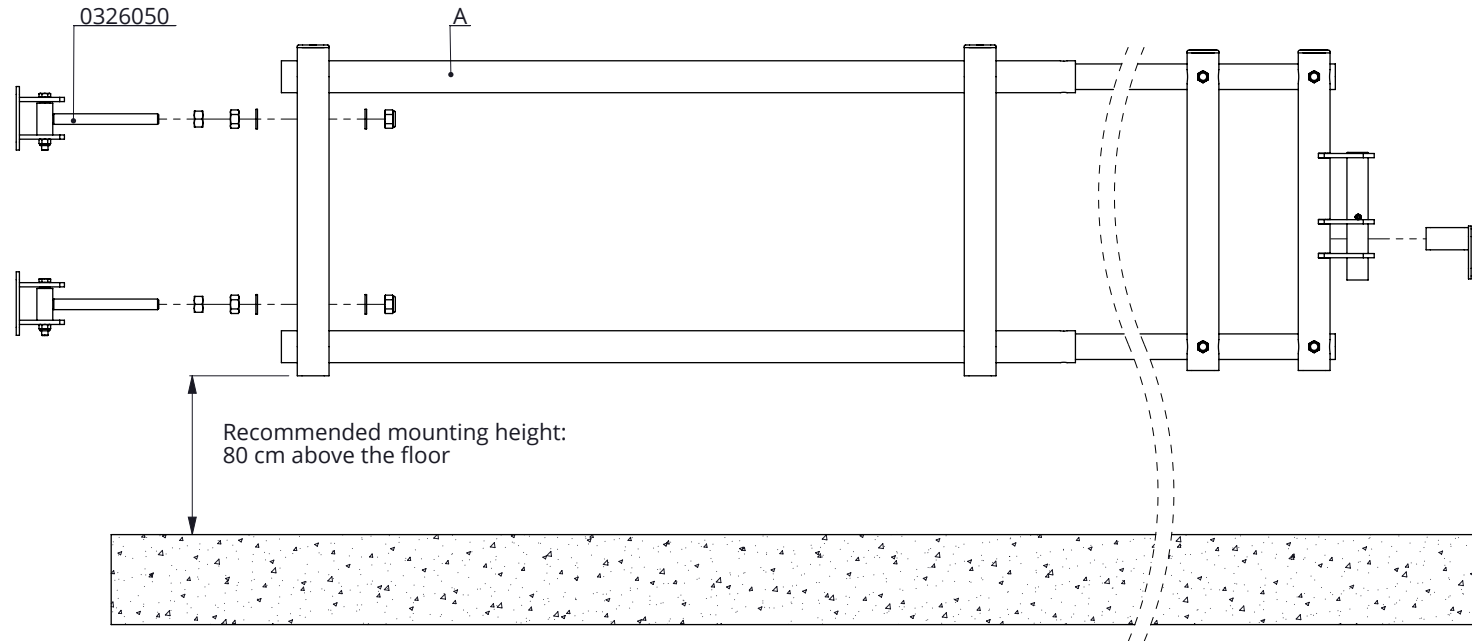


DAIRY HOUSING CONCEPTS

Number:	03262x1-O
Unit:	mm
Date:	16-6-2021

Drawing remains our property and may not be reproduced, shown or entrusted to third party or used otherwise. No rights can be derived from this drawing.

Item-nr.	Description	A
0326230	Slider 2T partition barrier 200-300cm	0326232
0326240	Slider 2T partition barrier 250-400cm	0326242
0326250	Slider 2T partition barrier 300-500cm	0326252



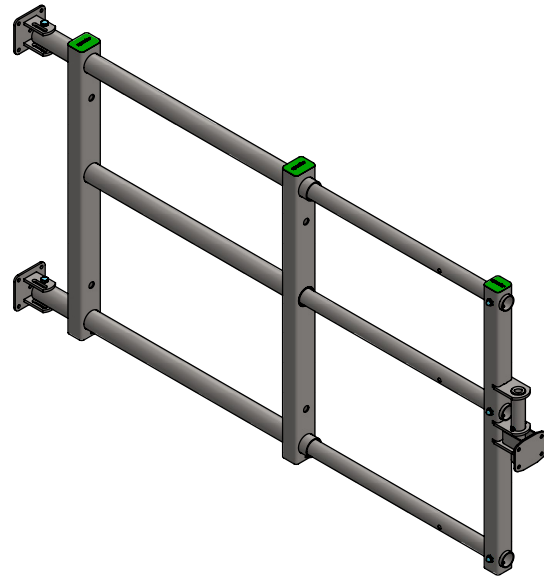
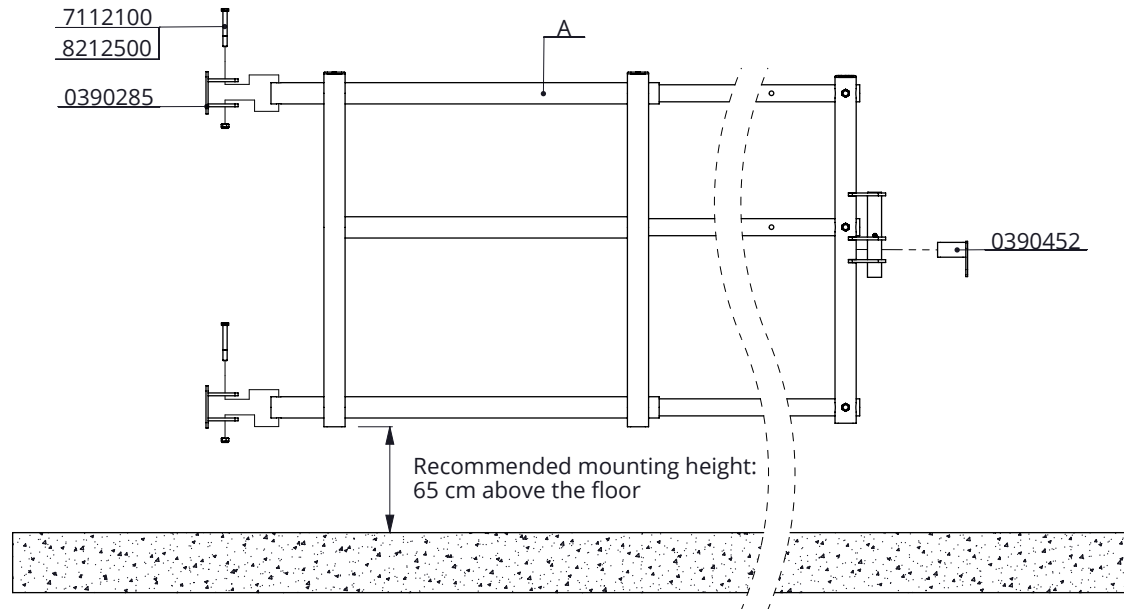
Item-nr.	Description	Number
0326050	adjustable pivot M20	1
A	extendable part.barrier - 2T	1

Slider 2T partition barrier

	Number:	03262xx-O
	Unit:	mm
	Date:	16-6-2021

Drawing remains our property and may not be reproduced, shown or entrusted to third party or used otherwise. No rights can be derived from this drawing.

Item-nr.	Description	A
0326310	Slider 3T partition Barrier 95-135cm	0326312
0326320	Slider 3T partition Barrier 135-200cm	0326322



Item-nr.	Description	Number
0390285	fastener 60mm/76mm/wall	2
0390452	universal locking point wall/76mm	1
7112100	hexagon-head bolt M12x100 galv.	2
8212500	self locking nylon nut M12 galv.	2
A	extendable part.barrier - 3T	1

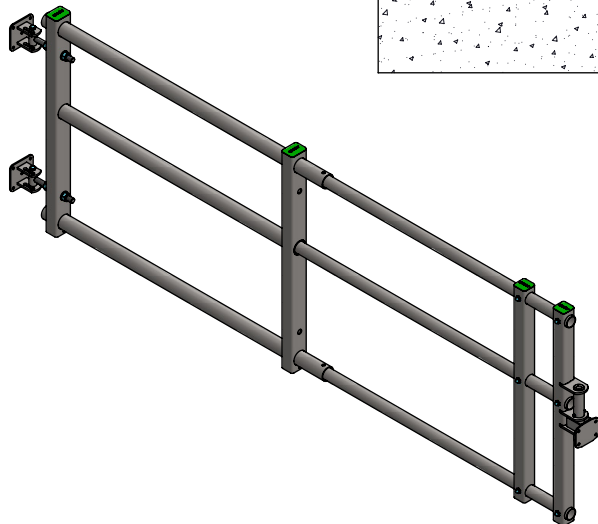
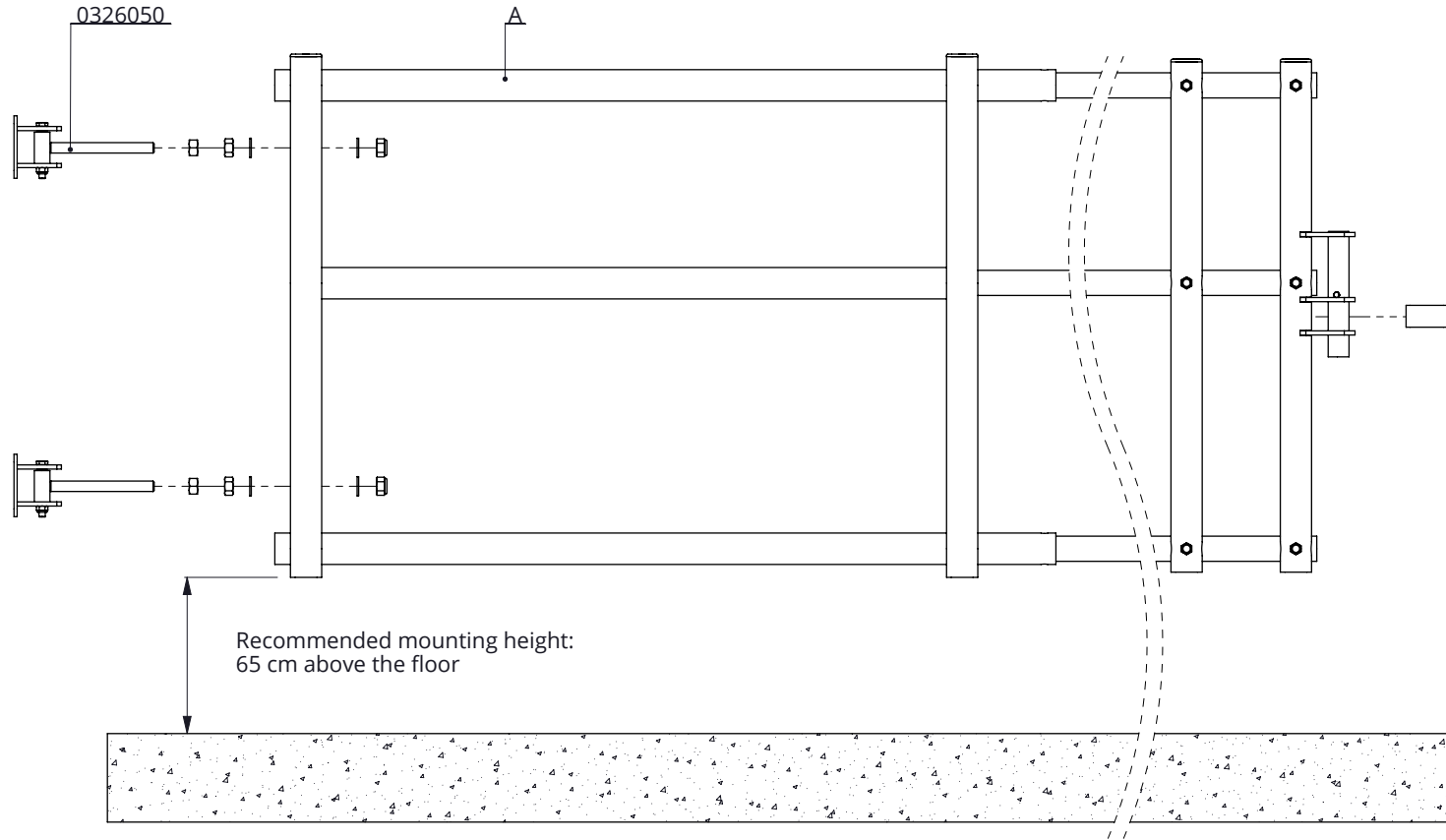
Slider 3T partition barrier

**spinder**

DAIRY HOUSING CONCEPTS

Number:	03263x1-O
Unit:	mm
Date:	16-6-2021

Item-nr.	Description	A
0326330	Slider 3T partition barrier 200-300cm	0326332
0326340	Slider 3T partition barrier 250-400cm	0326342
0326350	Slider 3T partition barrier 300-500cm	0326352
0326360	Slider 3T partition barrier 400-600cm	0326362



Item-nr.	Description	Number
0326050	adjustable pivot M20	1
A	extendable part.barrier - 3T	1

Slider 3T partition barrier

**spinder**

DAIRY HOUSING CONCEPTS

Number:	03263xx-O
Unit:	mm
Date:	16-6-2021