

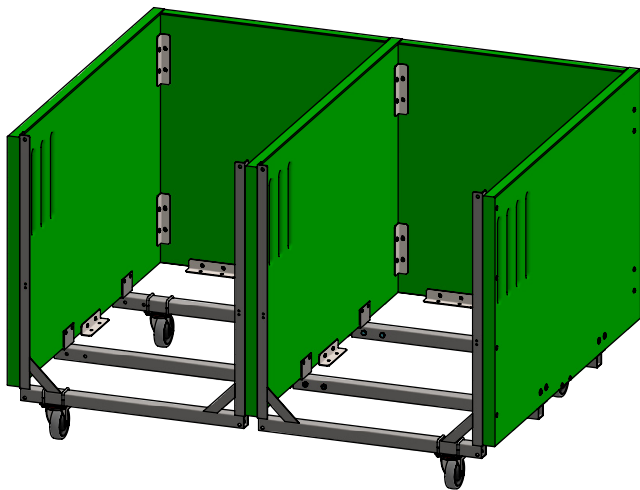
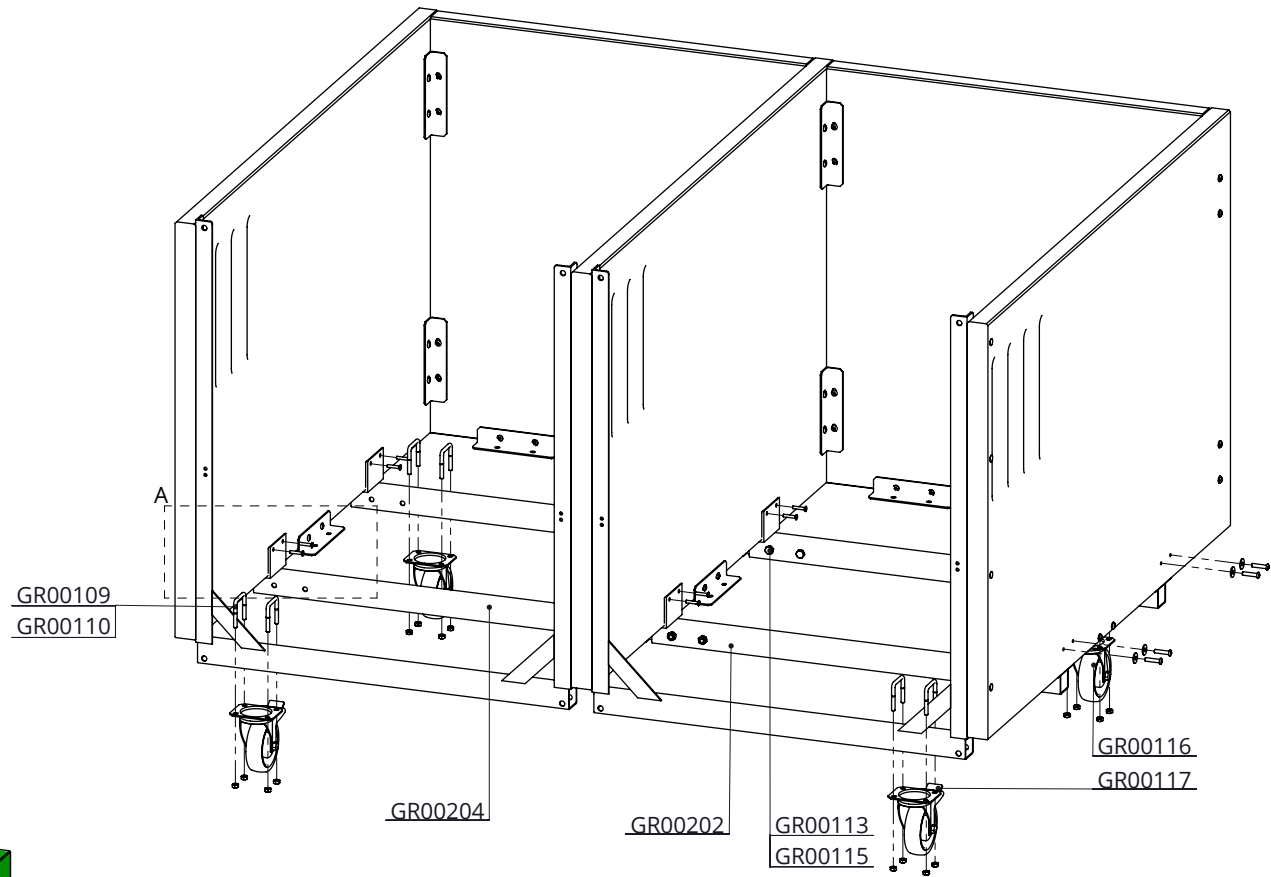
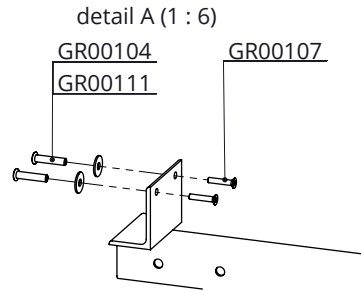
Item-nr.	Description	Number
1106100	stopper 34mm	2
GR00010	side panel calf pen plastic	3
GR00011	back panel calf pen plastic 91 cm	2
GR00012	floor calf pen plastic 91cm	2
GR00100	chip board screw 5.0x25ck/pozi	2
GR00101	socket-head bolt M6x15	2
GR00102	coach bolt M6x65 stainl.	8
GR00103	hexagon-head tap bolt M6x70 stainl.	4
GR00104	coach bolt M6 inside L=36 stainl.	54
GR00105	round head screw Torx m6x40 stainl.	42
GR00106	self locking nylon nut M6, stainl.steel	12
GR00107	socket-head bolt M6x35 stainl.	12
GR00108	self locking nylon nut M6 galv.	2
GR00109	threaded strap square M8 50x67 galv.	8
GR00110	hexagon nut M8 galv.	16
GR00111	washer M8 big stainless steel	12
GR00112	washer M8 small stainless steel	36
GR00113	hexagon-head bolt M10x60 galv.	4
GR00114	hexagon-head bolt M10x70 galv.	2
GR00115	self locking nylon nut M10 galv.	8
GR00116	caster without brake	2
GR00117	caster with brake	2
GR00120	mounting angle stainless steel	16
GR00121	hinge upper side	2
GR00122	hinge bottom side	2
GR00123	locking point calf pen	2
GR00200	front gate calf pen 91cm	2
GR00201	front frame calf pen 91cm	2
GR00202	square tube with holes bottom 91cm	2
GR00204	square tube add-on calf pen bottom 91cm	2

Arena 91 Stereo (2 calf pens)

spinder
DAIRY HOUSING CONCEPTS

Number:	0161091-O
Unit:	mm
Date:	9-3-2018

Drawing remains our property and may not be reproduced, shown or entrusted to third party or used otherwise. No rights can be derived from this drawing.



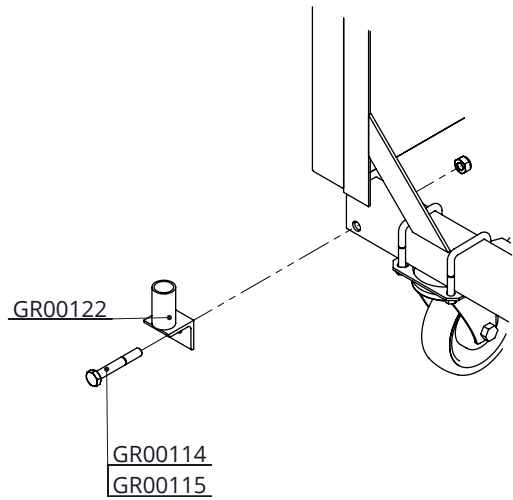
Arena 91 Stereo (2 calf pens)



Number:	0161091-O
Unit:	mm
Date:	9-3-2018

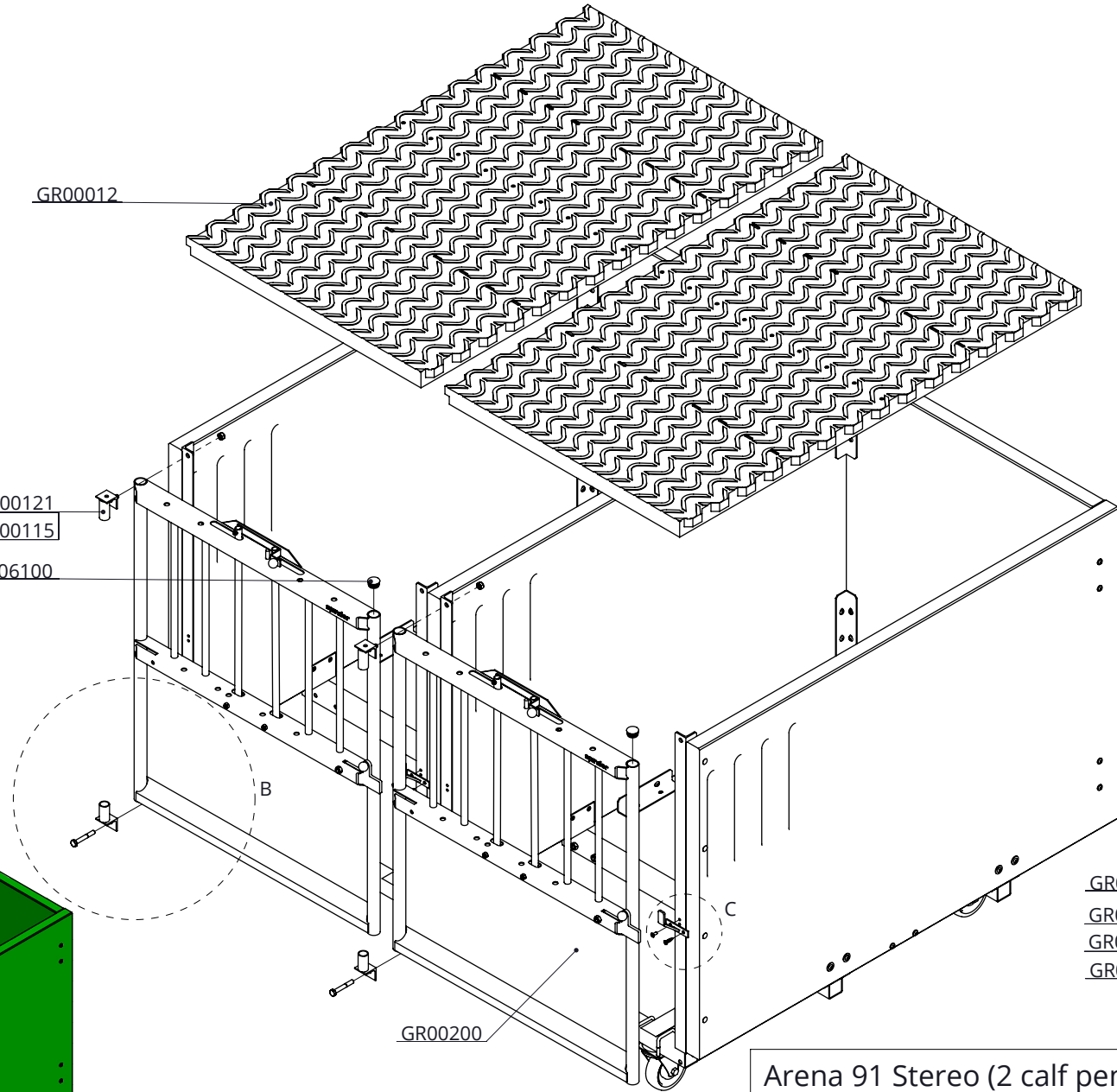
Drawing remains our property and may not be reproduced, shown or entrusted to third party or used otherwise. No rights can be derived from this drawing.

detail B (1 : 6)

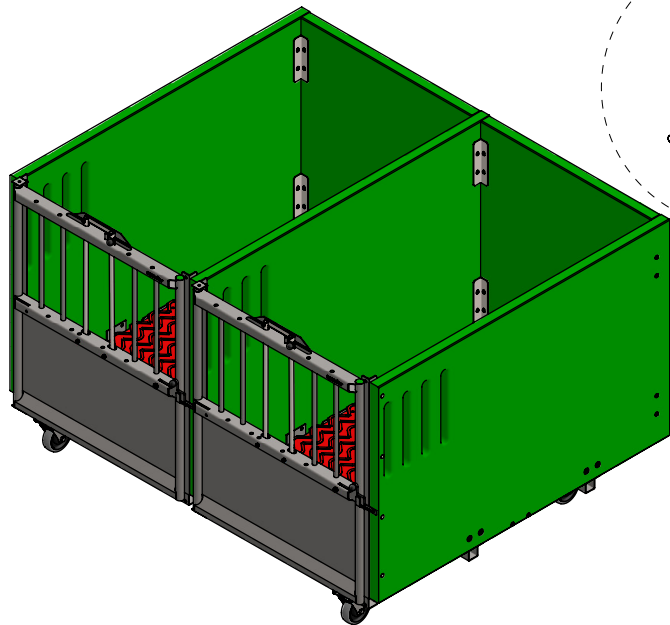
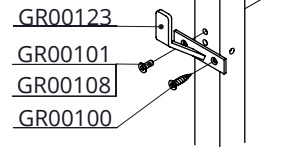


GR00012

GR00121
GR00115
1106100



detail C (1 : 6)



Arena 91 Stereo (2 calf pens)



Number:	0161091-O
Unit:	mm
Date:	9-3-2018

Drawing remains our property and may not be reproduced, shown or entrusted to third party or used otherwise. No rights can be derived from this drawing.